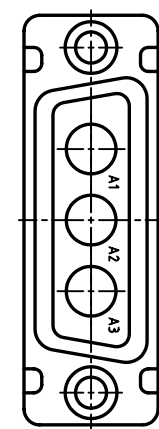
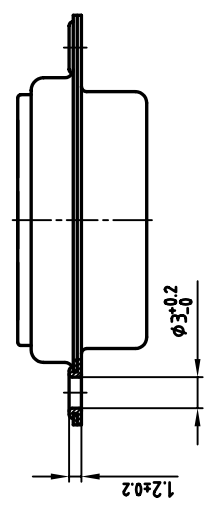
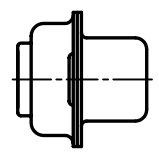
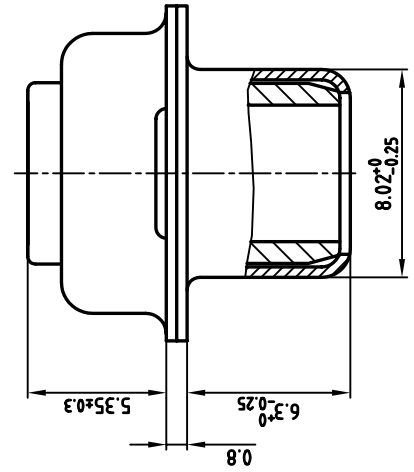
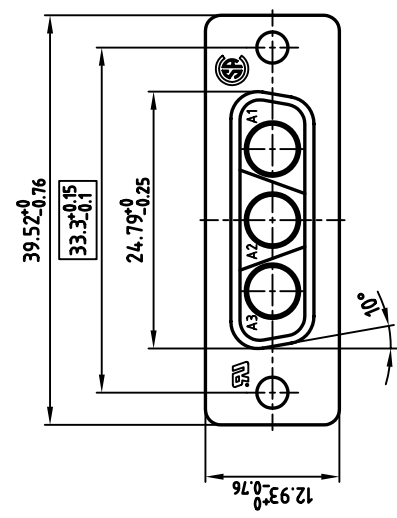


used for: D-SUB COMBINATION

5:1



NOTES:

1. METAL SHELLS: STEEL; min. 320µ" TIN
2. INSULATORS: PBT GF UL 94 V-0, GREEN
3. = CRITICAL DIMENSION: SPC

Directive 2002/95/EC
RoHS
Compliant

tolerance		2001		date		name	
material		drawn		27.02.		Parel	
scale:		appd.		27.02.		E. Mickenbecker	
material:		norm		e-old		sh: 1/1	
title:		AutoCAD 2000		DIN-A		3	
material:		13K1A196A		AutoCAD 2000		DIN-A	
title:		D-SUB COMBINATION FEMALE		3W3CS		sh: 1/1	
material:		dwg no:		13K1A196A		3	
title:		part no:		303W3CSXX99A10X		3	
material:		rev. description		date		name	

THIS DRAWING MAY NOT BE COPIED OR REPRODUCED IN ANY WAY, AND MAY NOT BE PASSED ON TO A THIRD PARTY WITHOUT WRITTEN PERMISSION. OWNERSHIP AND COPYRIGHT OF CONEC GMBH DO NOT ALTER CAD DRAWING BY HAND

